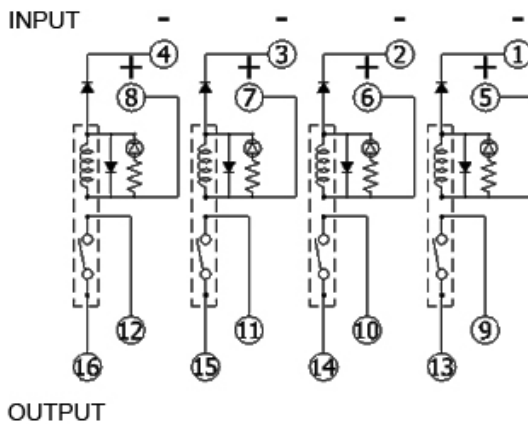
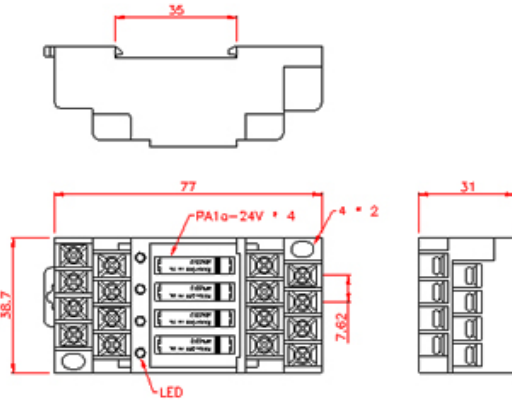


REL-4

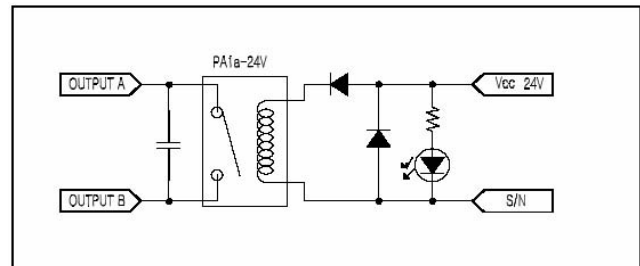
4 relays 250V/5A

CONTROL HIGH VOLTAGE AC/DC



2. Applications

Any AC device up to 250VAC.
Any DC device up to 30VDC.



*Polarity of Output A and Output B does not matter.

1. Introduction

Do you need to control high voltage AC or DC devices from a GTM module? The REL-4 gives the ability to control up to 4 AC devices from your GTM module. The REL-4 can also control DC devices up to 30V. Whether you design small or large industrial controllers, these boards can help you save time and money.

The REL-4 is composed of 4 individual relays. The user may easily take advantage of the flexibility.

To use the REL-4, simply connect VCC to 24V and S/N to your GTM module outputs.

24 VDC circuit pin 1 to 8.
250 VAC circuit pin 9 to 16.

2. Specifications

REL-4

Arrangement		PA1a-24V
Contact material		Gold-clad silver alloy
Initial contact resistance,max		30m Ω
Rating	Nominal switching capacitor	5A 250V, 5A 30VDC
	Maximum switching power	1250VA, 150W
	Maximum switching voltage	250V AC, 110V DC
	Max, switching current	5A
	Nominal operating power	180mW
	Coil resistance	3200 Ω
	Minimum operating voltage	16.8V DC
	Maximum operating voltage	28.8V DC