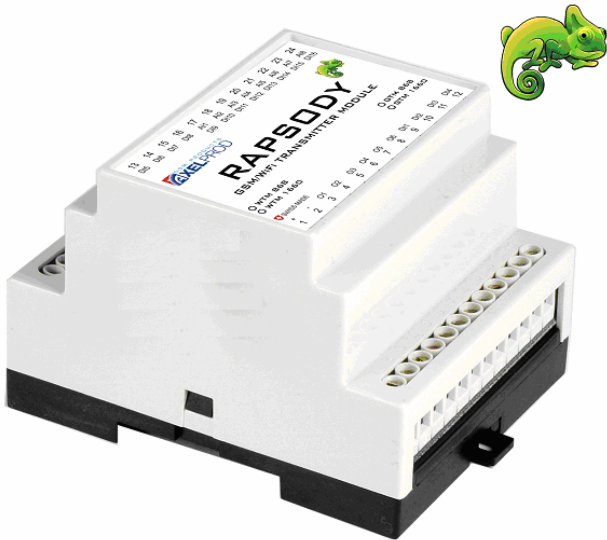


## WIFI MODULE TELEMETRY AND TELEALARM MODULE **WTM 868 (1660) RAPSODY**



### DATA

- EDL, Easy Data Logger
- Monitoring system on [www.unwired-monitoring.net](http://www.unwired-monitoring.net).
- EMAIL alarm reporting

### POWER CONSUMPTION

1. Wifi on, typ : 30mA, max 300mA.

The WTM 868 RAPSODY is a ready solution for telemetry and telealarm using the Wifi 2.4GHz network.

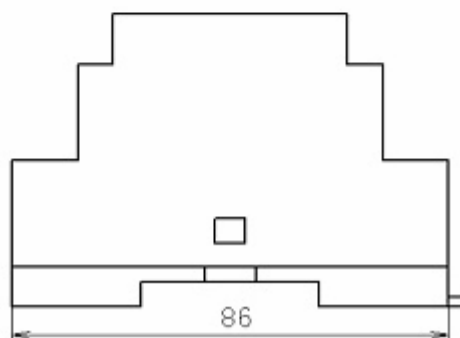
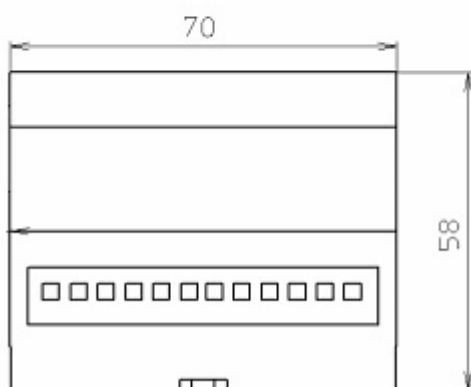
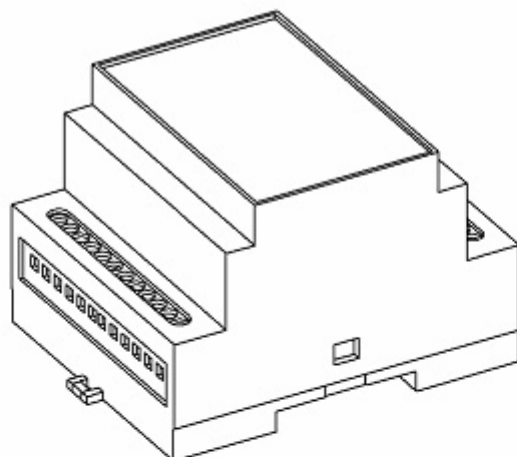
It can be used as a simple EMAIL alarm transmitter as well as a powerful telemetry device.

### PRODUCT FEATURES

- Power supply: 8 to 32 Volts.
- 8 digital inputs (16 max, no more analog input, GTM 1660)
- 8 analog 4-20mA, 0-10V analog inputs.
- 6 open collector outputs.
- EMAIL alarm.
- DataLogger
- 16 digital inputs. WTM 1660

## MECHANICAL OUTLINES

- 86mm x 70mm x 58mm



- Weight: 180g
- Mounting on symmetrical 35 mm DIN rail.