

GSM-SMS-GPRS QUAD BAND TELEMETRY AND TELEALARM MODULE

GTM μ Module 323i



The GTM μ Module 323i is a ready OEM solution for telemetry and telealarm using the GSM-SMS-GPRS network.

PRODUCT FEATURES

- GSM-SMS-GPRS quad band
- 3 digital inputs
- 3 analog 4-20mA, 0-2V analog inputs
- 2 open collector outputs
- Power supply, back up battery
- SMS alarm, SMS remote
- Virtual wire, real time GPRS permanent connection

INTERFACE

- 1.8/3V UICC SIM card interface
- FME antenna connector
- Antenna extension

APPROVAL

- GSM: GCF/R&TTE, PTCRB/FCC, CE
- GTM: CE

DATA

- Virtual wire, GPRS permanent.
- Monitoring system on www.unwired-monitoring.com.
- SMS alarm reporting
- SMS remote

POWER CONSUMPTION

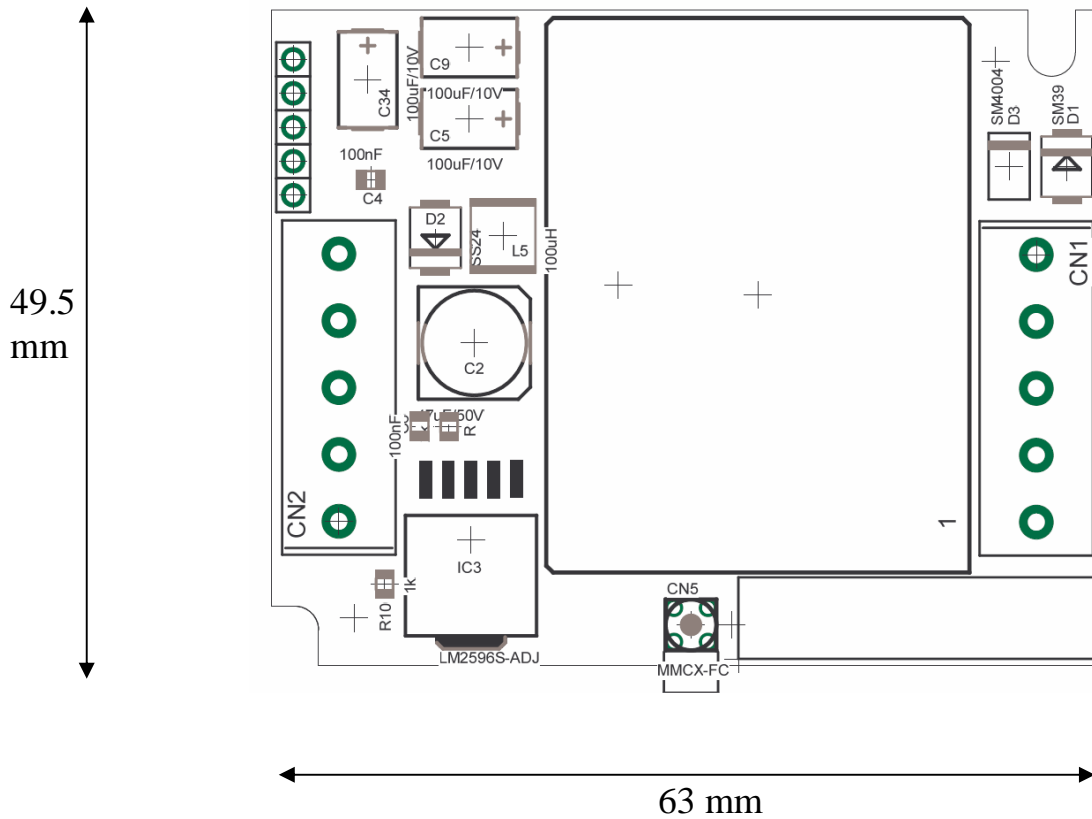
- GSM on, typ : 30mA, max 300mA

ADDITIONAL FEATURES

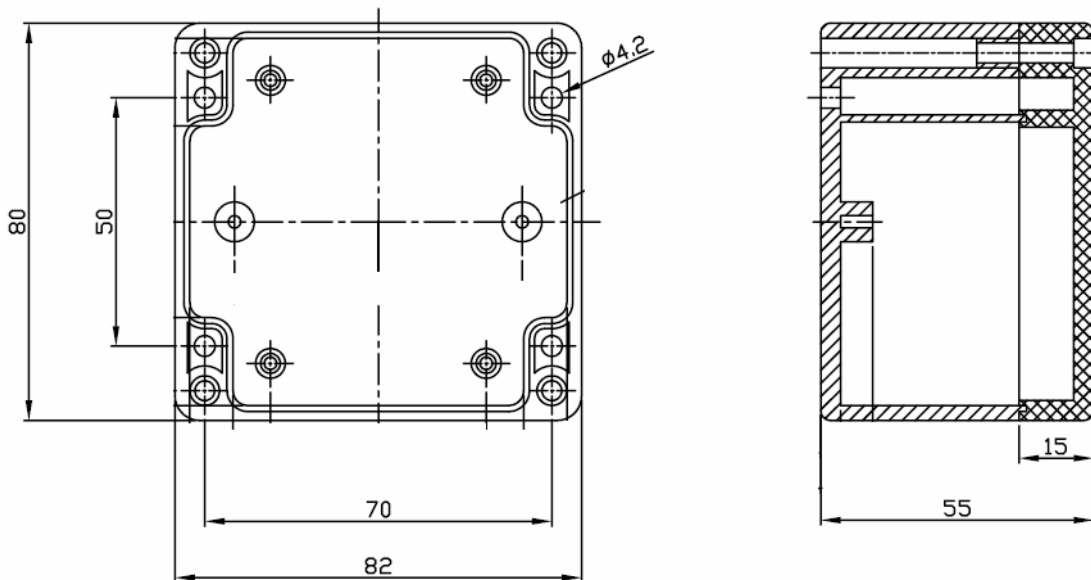
- Virtual Wire on-line programming.
- Virtual Wire on-line upgrade.

MECHANICAL OUTLINES

- 49.5mm x 63mm x h=15mm



OPTIONAL HOUSING KIT



- Weight: 110g
- 1 Stereo plug to serial SUB-D9 female for uCPU spy
- SIM holder external access