

GSM-SMS-GPRS QUAD BAND TELEMETRY AND TELEALARM MODULE GTM 868 (1660) RAPSODY



The GTM 868 RAPSODY is a ready solution for telemetry and telealarm using the GSM-SMS-GPRS network.

It can be used as a simple SMS alarm transmitter as well as a powerful telemetry device.

PRODUCT FEATURES

- GSM-SMS-GPRS QUAD BAND, 3G option.
- Power supply: 8 to 32 Volts.
- 8 digital inputs (16 max, no more analog input, GTM 1660)
- 8 analog 4-20mA, 0-10V analog inputs.
- 6 open collector outputs.
- SMS alarm, SMS remote, email.
- Easy Gprs DataLogger (EGDL)

INTERFACE

- 1.8/3V UICC SIM card interface
- FME antenna connector.
- Antenna extension

APPROVAL

- GSM: GCF/R&TTE, PTCRB/FCC, CE
- GTM: CE

DATA

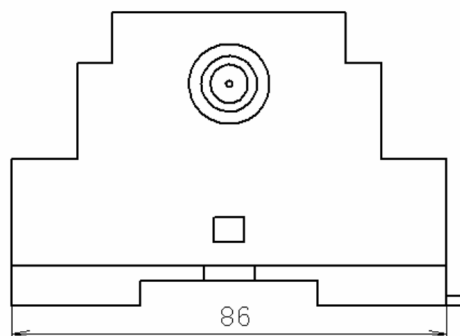
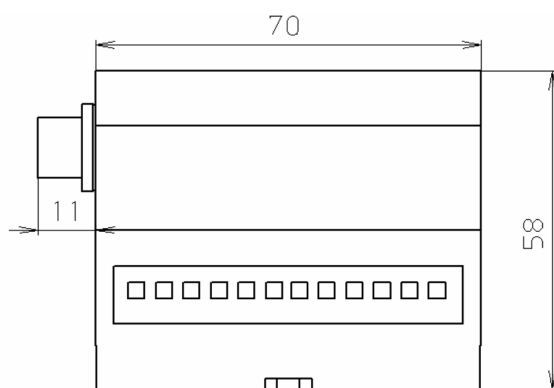
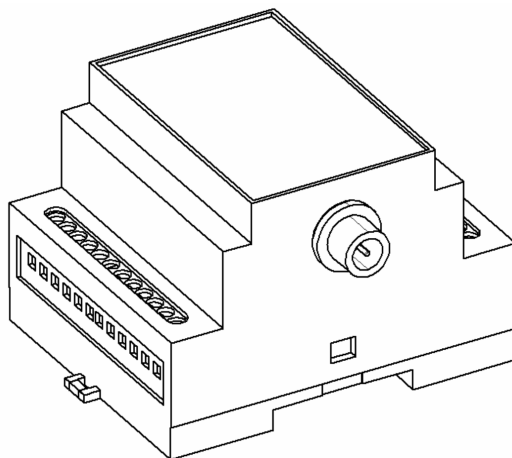
- EGDL, Easy Gprs Data Logger
- Monitoring system on www.unwired-monitoring.net.
- SMS alarm reporting
- SMS remote
- Virtual Wire

POWER CONSUMPTION

1. GSM on, typ : 30mA, max 300mA.

MECHANICAL OUTLINES

- 86mm x 70mm x 58mm



- Weight: 180g
- Mounting on symmetrical 35 mm DIN rail.